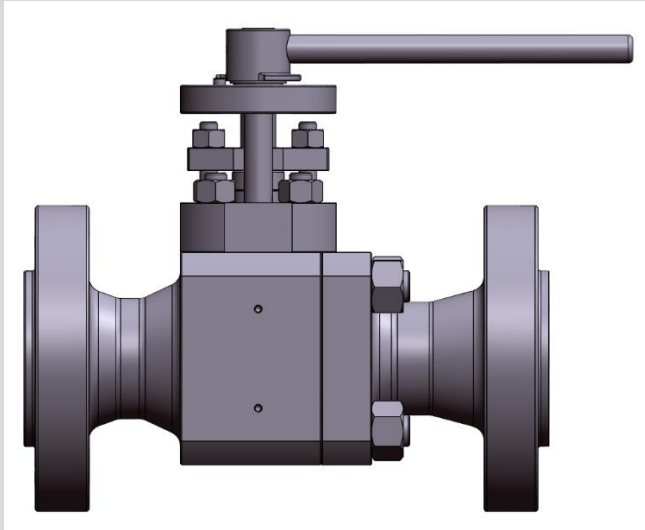


DCE Capabilities

Floating Ball Valve Soft & Metal Seated



Valve type: Trunnion Mounted ball soft & metal seated

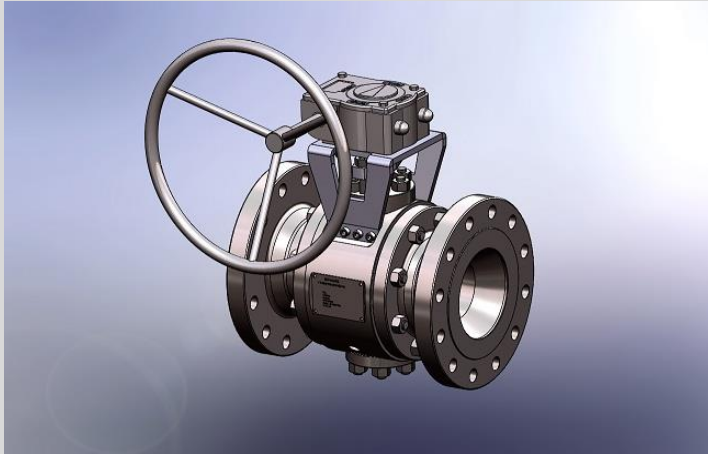
Size NPS→	0,5	0,75	1	1,5	2	2,5	3	3,5	4	6	8	10	12
Class #↓													
150				x	x	x	x	x	x	x	x	x	x
300				x	x	x	x	x	x	x	x	x	x
600				x	x	x	x	x	x	x	x	x	x
900				x	x	x	x	x	x	x	x	x	x
1500				x	x	x	x	x	x	x	x	x	x
2500				x	x	x	x	x	x	x	x	x	x
4500				x	x	x	x	x	x	x	x	x	

Double block (& bleed) type possible. With sample or injector quill. Extra check valve, needle or ball bleed etc.

Ends: RF, FF, RTJ, AISI, NORSOK Compact flanges - Hubs - treaded - Butt weld - Socket weld etc.

Cryogenic down to -196

Trunnion Mounted Ball Valve, Soft & Metal Seating



Valve type: Trunnion Mounted ball soft & metal seated

Size NPS→	0,5	0,75	1	1,5	2	2,5	3	3,5	4	6	8	10	12
Class #↓													
150				x	x	x	x	x	x	x	x	x	x
300				x	x	x	x	x	x	x	x	x	x
600				x	x	x	x	x	x	x	x	x	x
900				x	x	x	x	x	x	x	x	x	x
1500				x	x	x	x	x	x	x	x	x	x
2500				x	x	x	x	x	x	x	x	x	x
4500				x	x	x	x	x	x	x	x	x	x

Double block (& bleed) type possible. With sample or injector quill. Extra check valve, needle or ball bleed etc.

Ends: RF, FF, RTJ, AISI, NORSOK Compact flanges - Hubs - treaded - Butt weld - Socket weld etc.

Globe Valve, Straight pattern, Y-Type, Angle Type, Stop Check



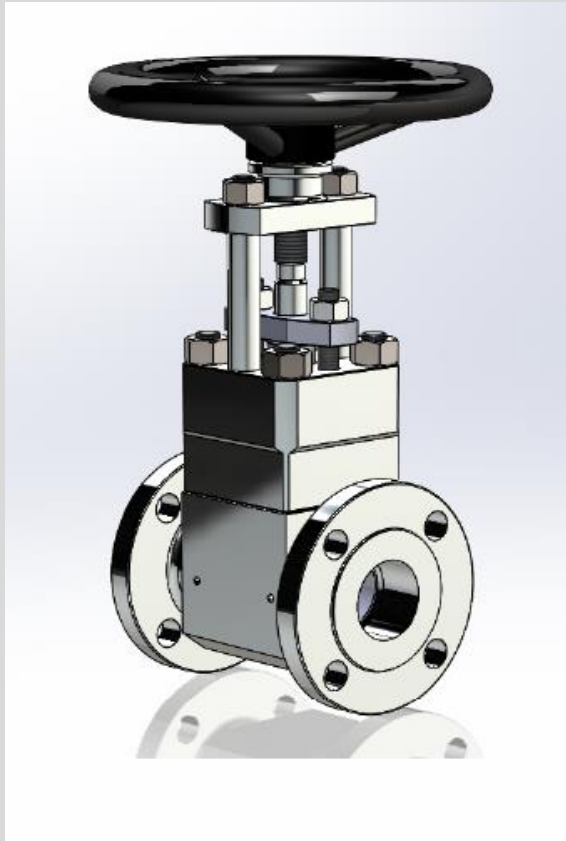
Valve type:	Globe											
Size NPS→	0,5	0,75	1	1,5	2	2,5	3	3,5	4	6	8	10
Class #↓												
150	x	x	x	x	x	x	x	x	x	x	x	x
300	x	x	x	x	x	x	x	x	x	x	x	x
600	x	x	x	x	x	x	x	x	x	x	x	x
900	x	x	x	x	x	x	x	x	x	x	x	x
1500	x	x	x	x	x	x	x	x	x	x	x	x
2500	x	x	x	x	x	x	x	x	x	x	x	x
4500	x	x	x	x	x	x	x	x	x	x		

Ends: RF, FF, RTJ, AISI, NORSOK Compact flanges - Hubs - treaded - Butt weld - Socket weld etc.

Types: Straight pattern, Angle type, Y-type etc.

Cryogenic down to -196

Wedge Gate Valve



Valve type:	Wedge Gate											
Size NPS→	0,5	0,75	1	1,5	2	2,5	3	3,5	4	6	8	10
Class #↓												
150	x	x	x	x	x	x	x	x	x	x	x	x
300	x	x	x	x	x	x	x	x	x	x	x	x
600	x	x	x	x	x	x	x	x	x	x	x	x
900	x	x	x	x	x	x	x	x	x	x	x	x
1500	x	x	x	x	x	x	x	x	x	x	x	x
2500	x	x	x	x	x	x	x	x	x	x	x	x
4500	x	x	x	x	x	x	x	x	x	x		

Ends: RF, FF, RTJ, AISI, NORSOK Compact flanges - Hubs - treaded - Butt weld - Socket weld etc.

Cryogenic down to -196

Trough Conduit Gate parallel for all sizes and double expanding for bigger size.

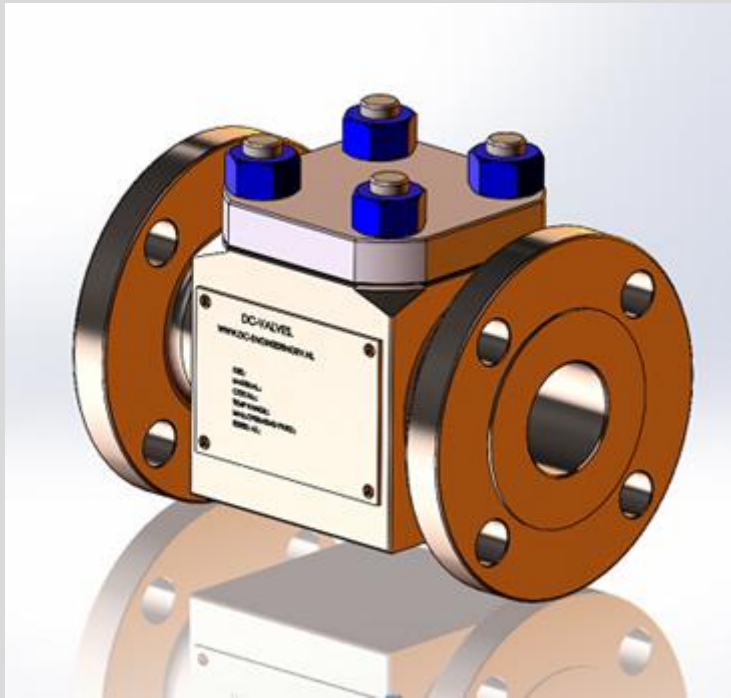


Valve type:	Trough Conduit Gate parallel for all sizes and double expanding for bigger size.																	
Size NPS→	0,5	0,75	1	1,5	2	2,5	3	3,5	4	6	8	10	12	14	16	18	20	24
Class #↓																		
150	x	x	x	x	x	x	x	x	x	x	x	x	x	x	x	x	x	x
300	x	x	x	x	x	x	x	x	x	x	x	x	x	x	x	x	x	x
600	x	x	x	x	x	x	x	x	x	x	x	x	x	x	x	x	x	x
900	x	x	x	x	x	x	x	x	x	x	x	x	x	x	x	x		
1500	x	x	x	x	x	x	x	x	x	x	x	x	x	x	x			
2500	x	x	x	x	x	x	x	x	x	x	x	x						
4500	x	x	x	x	x	x	x	x	x									

Size API6A→	1.13/16	2.1/16	2.9/16	3.1/16	3.1/8	4.1/16	5.1/8	7.1/16	9	11
Class psi↓										
1,000	x	x	x	x	x	x	x	x	x	x
2,000	x	x	x	x	x	x	x	x	x	x
3,000	x	x	x	x	x	x	x	x	x	x
5,000	x	x	x	x	x	x	x	x		
10,000	x	x	x	x	x	x	x	x		
15,000	x	x	x	x	x	x	x			
20,000	x	x	x	x	x	x				

Ends: RF, FF, RTJ, AISI, NORSOK Compact flanges - Hubs - treaded - Butt weld - Socket weld etc.

Piston check, Swing check & tilting disc check.



Valve type Piston check, Swing check & tilting disc check.

Size NPS→	0,5	0,75	1	1,5	2	2,5	3	3,5	4	6	8	10
Class #↓												
150	x	x	x	x	x	x	x	x	x	x	x	x
300	x	x	x	x	x	x	x	x	x	x		
600	x	x	x	x	x	x	x	x				
900	x	x	x	x	x	x						
1500	x	x	x	x								
2500	x	x	x	x								
4500	x	x	x									

Ends: RF, FF, RTJ, AISI, NORSOK Compact flanges - Hubs - treaded - Butt weld - Socket weld etc.

Cryogenic down to -196

Dual plate wafer

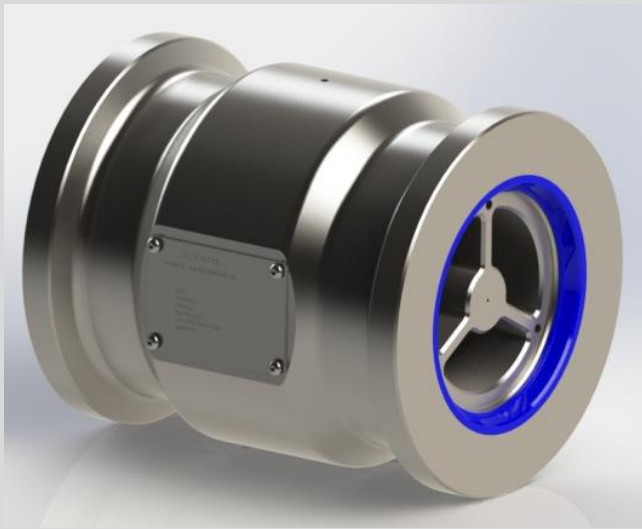


Size NPS→	0,5	0,75	1	1,5	2	2,5	3	3,5	4	6	8	10	12	14	16	18	20	24	
Class #↓																			
150		x	x	x	x	x	x	x	x	x	x	x	x	x	x	x	x	x	x
300		x	x	x	x	x	x	x	x	x	x	x	x	x	x	x	x	x	x
600		x	x	x	x	x	x	x	x	x	x	x	x	x	x	x	x	x	x
900		x	x	x	x	x	x	x	x	x	x	x	x	x	x	x			
1500		x	x	x	x	x	x	x	x	x	x	x	x	x	x	x			
2500		x	x	x	x	x	x	x	x	x	x	x	x						
4500		x	x	x	x	x	x	x	x	x									

Ends: RF,FF,RTJ flanged- Hubs.

Lug type and non lug type.

Axial Non Slam Nozzle Check Valve



Valve type	Non slam check														
Size NPS→	1,5	2	2,5	3	3,5	4	6	8	10	12	14	16	18	20	24
Class #↓															
150	x	x	x	x	x	x	x	x	x	x	x	x	x	x	x
300	x	x	x	x	x	x	x	x	x	x	x	x	x	x	x
600	x	x	x	x	x	x	x	x	x	x	x	x	x	x	x
900	x	x	x	x	x	x	x	x	x	x	x	x	x		
1500	x	x	x	x	x	x	x	x	x	x	x	x	x		
2500	x	x	x	x	x	x	x	x	x	x					
4500	x	x	x	x	x	x	x								

Ends: RF,FF,RTJ flanged- Hubs.

Contact US

